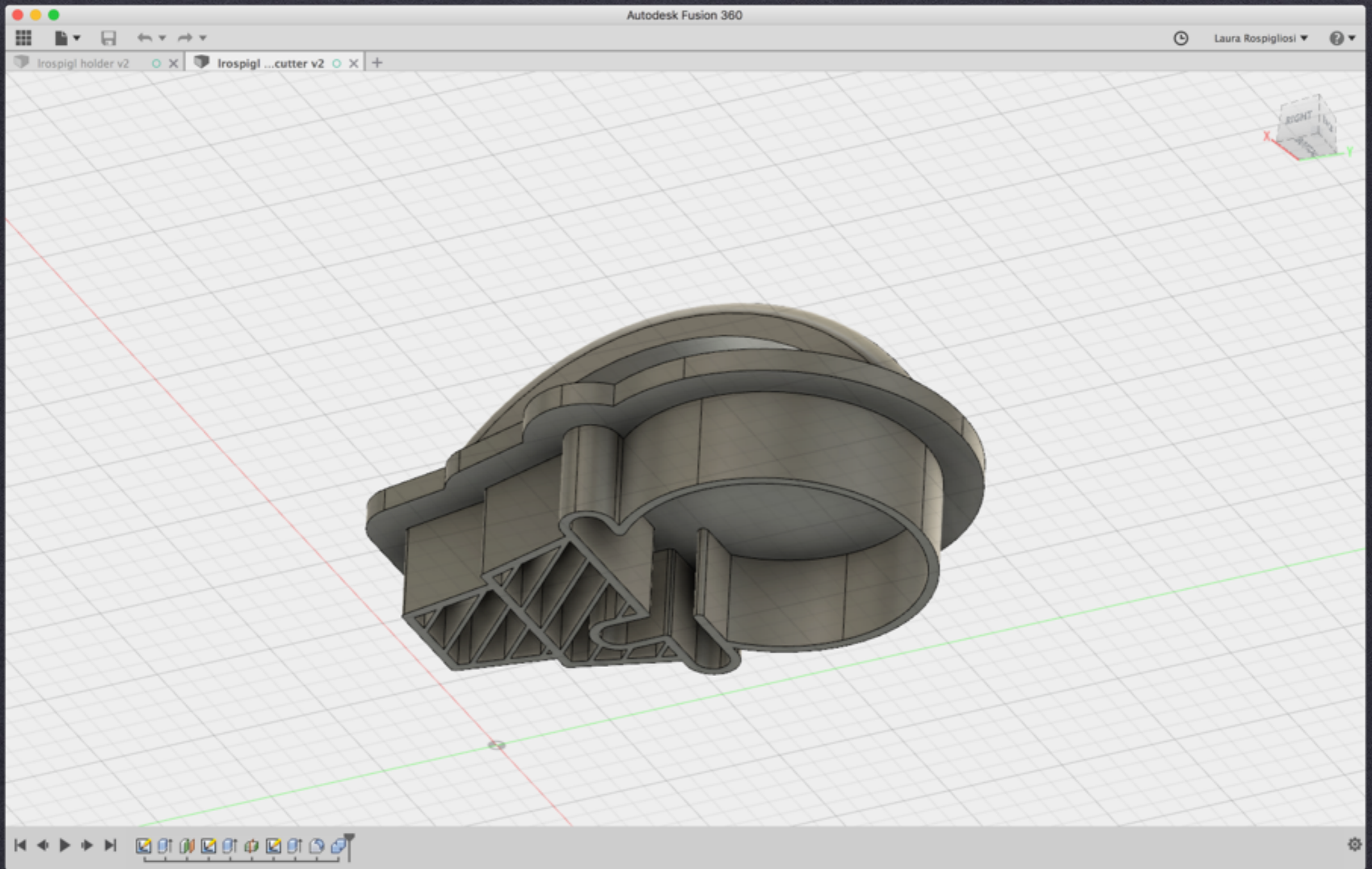


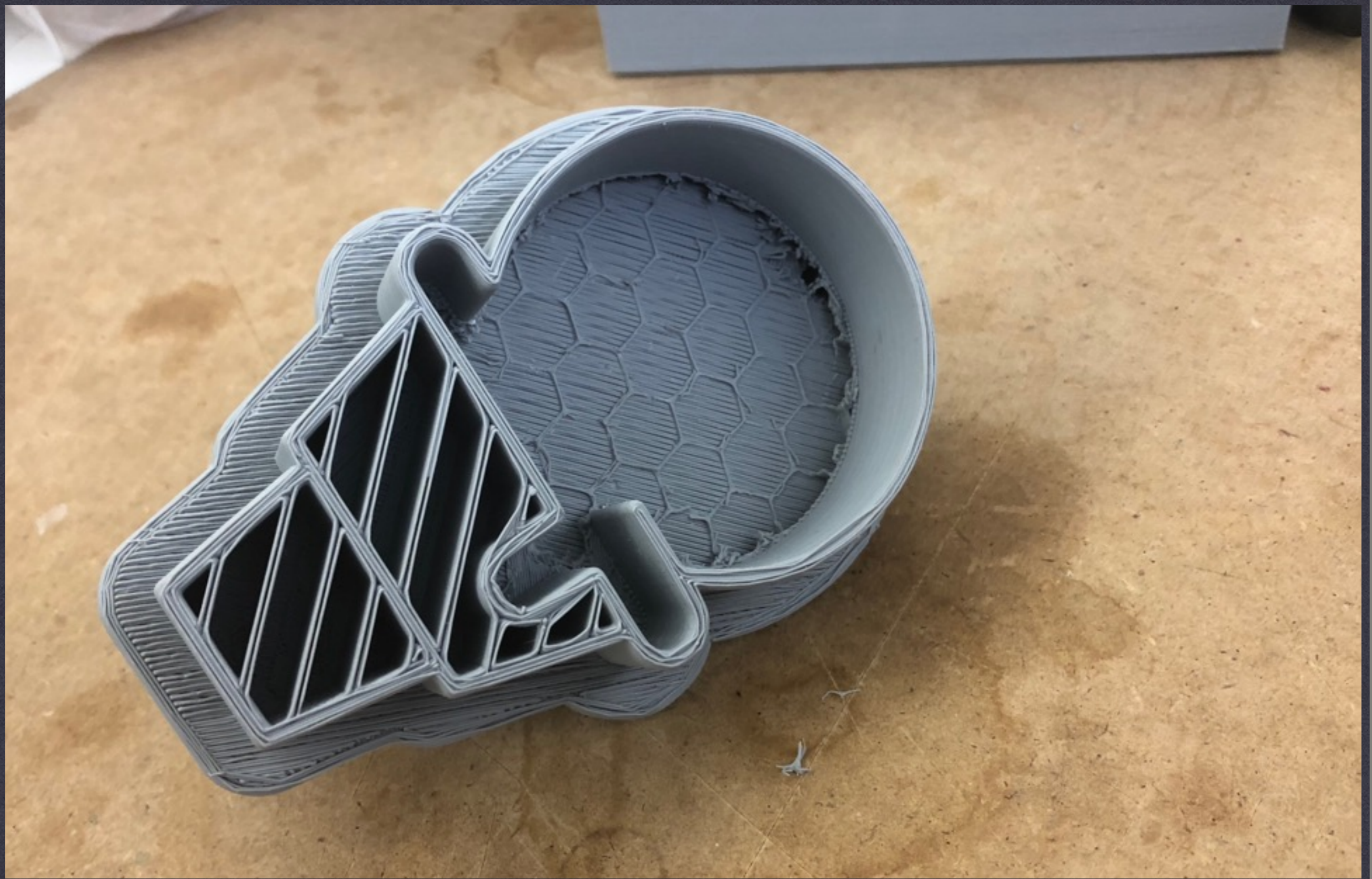
99-359 INVENTOR AND 3D PRINTING

LAURA ROSPIGLIOSI — LROSPIGL@ANDREW.CMU.EDU



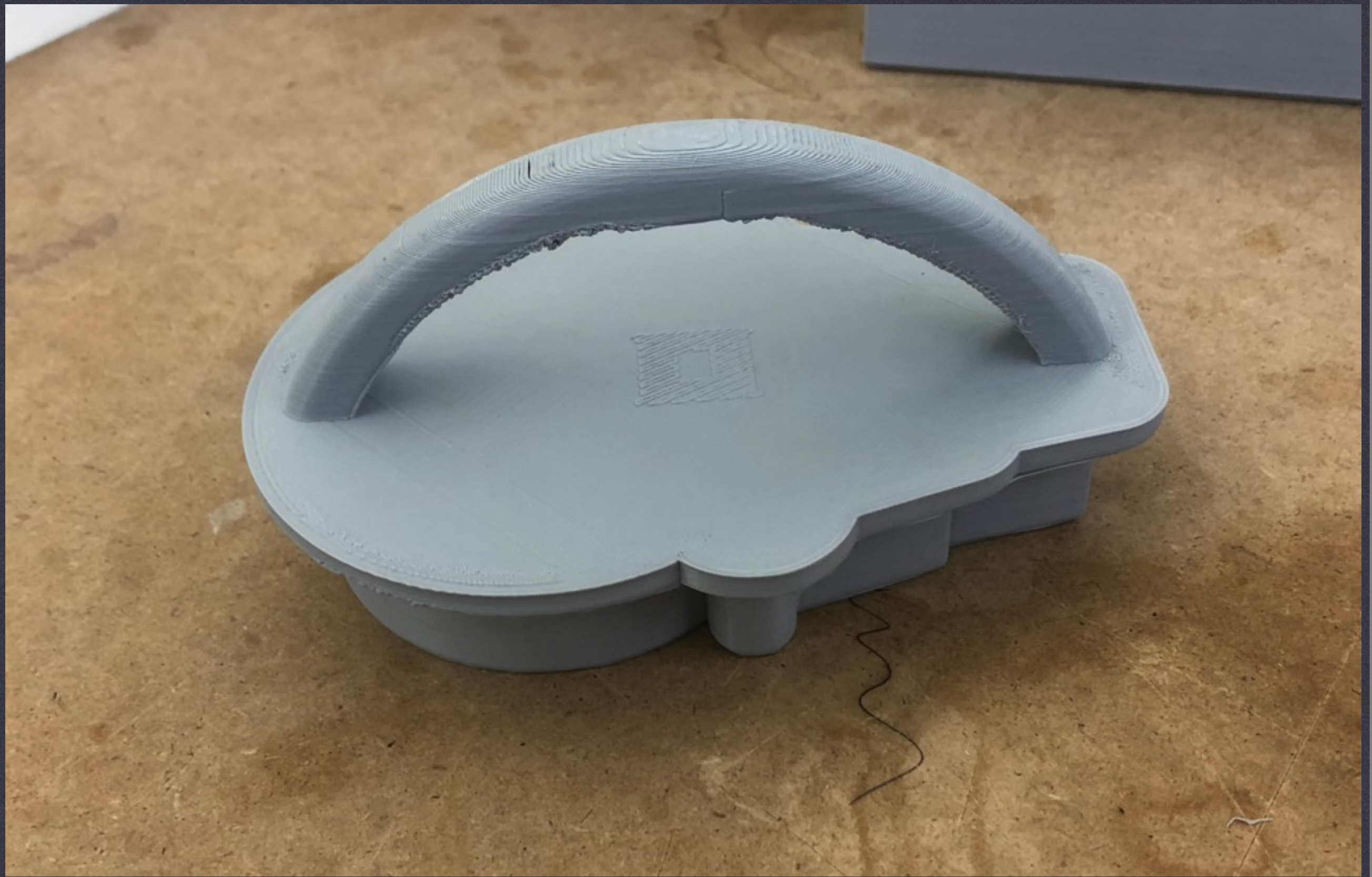
FUSION MODEL

COOKIE CUTTER



UNDERSIDE

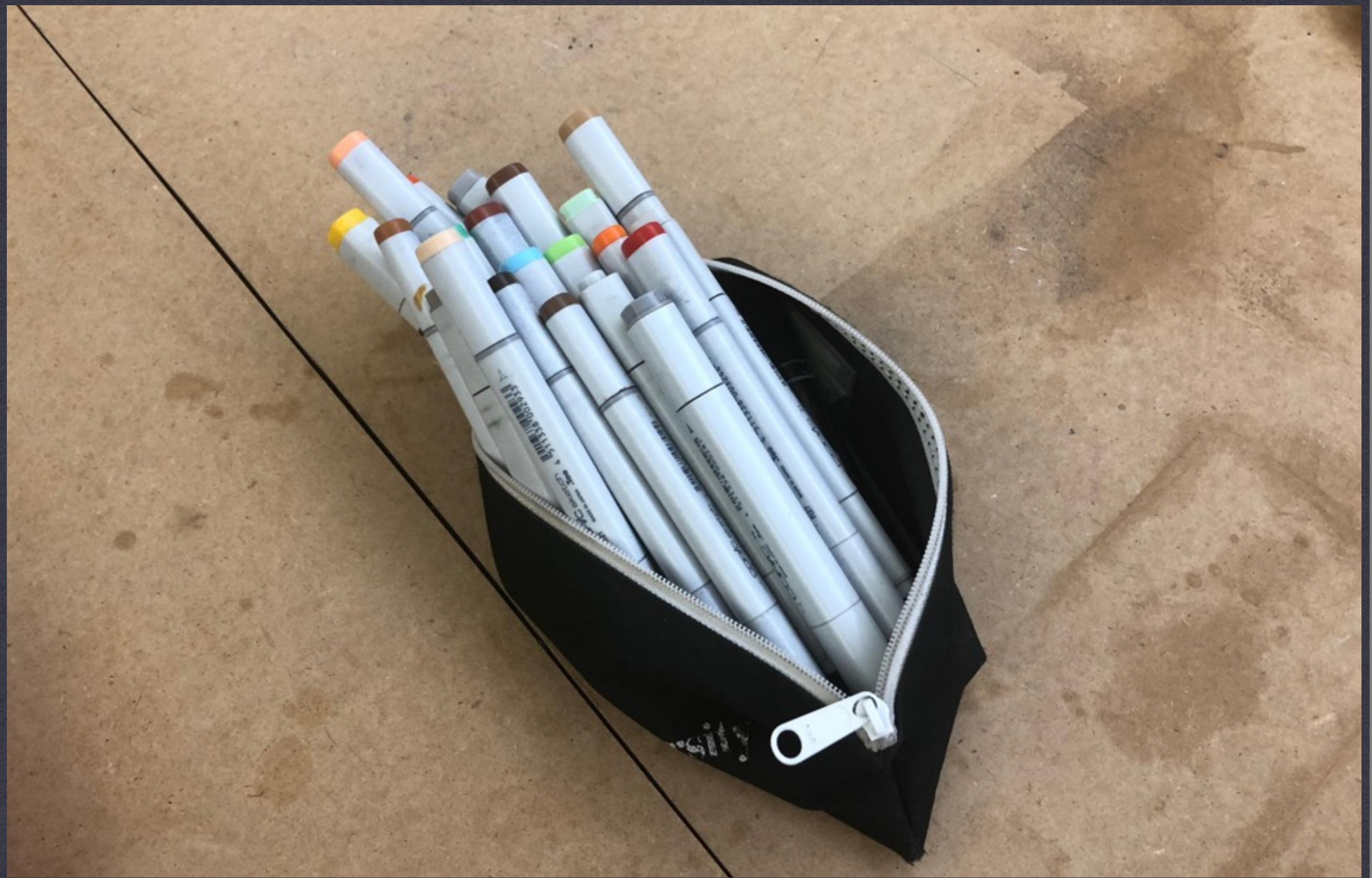
COOKIE CUTTER

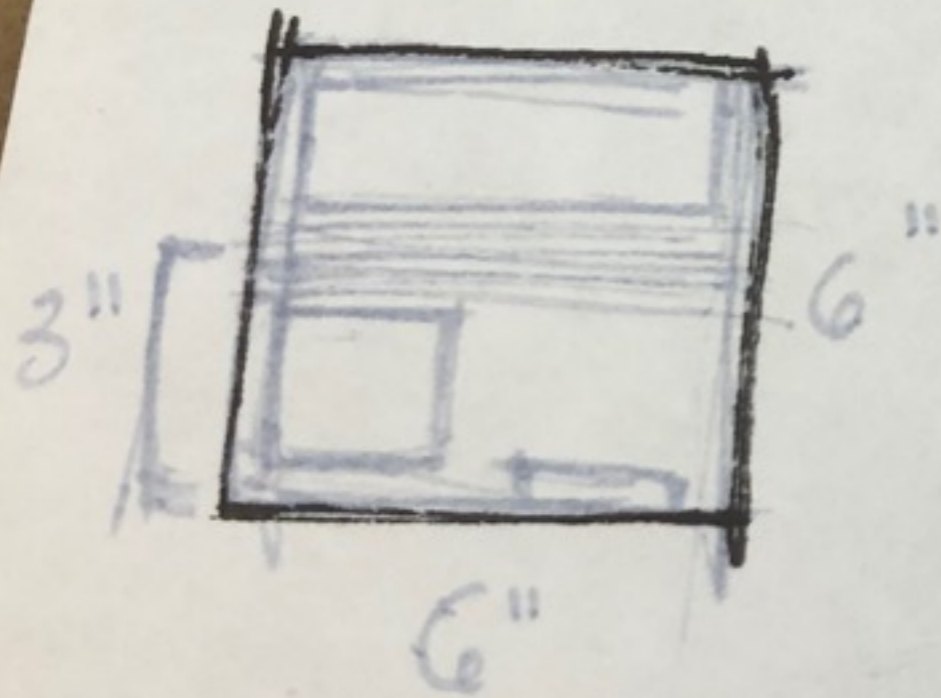
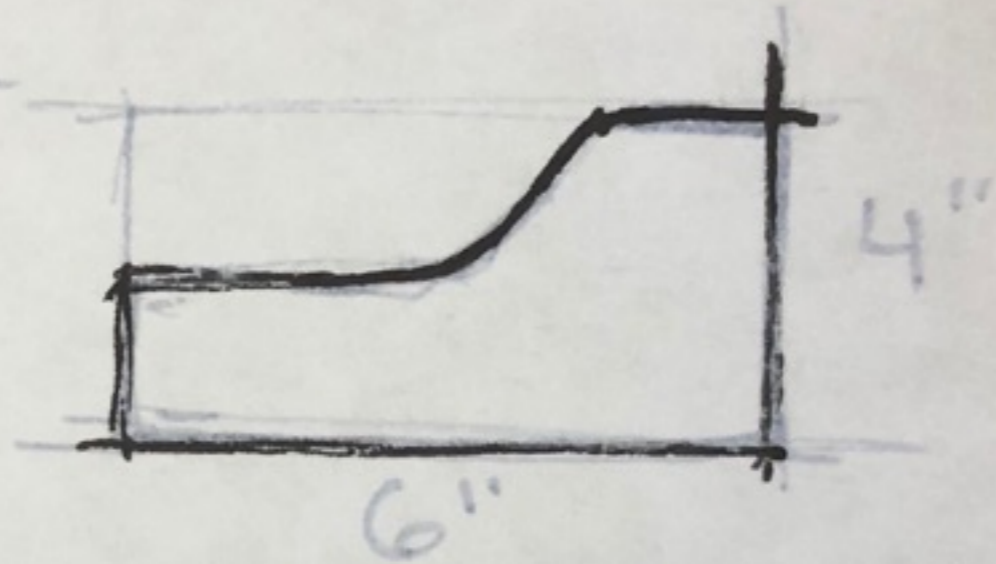


TOP

COOKIE CUTTER

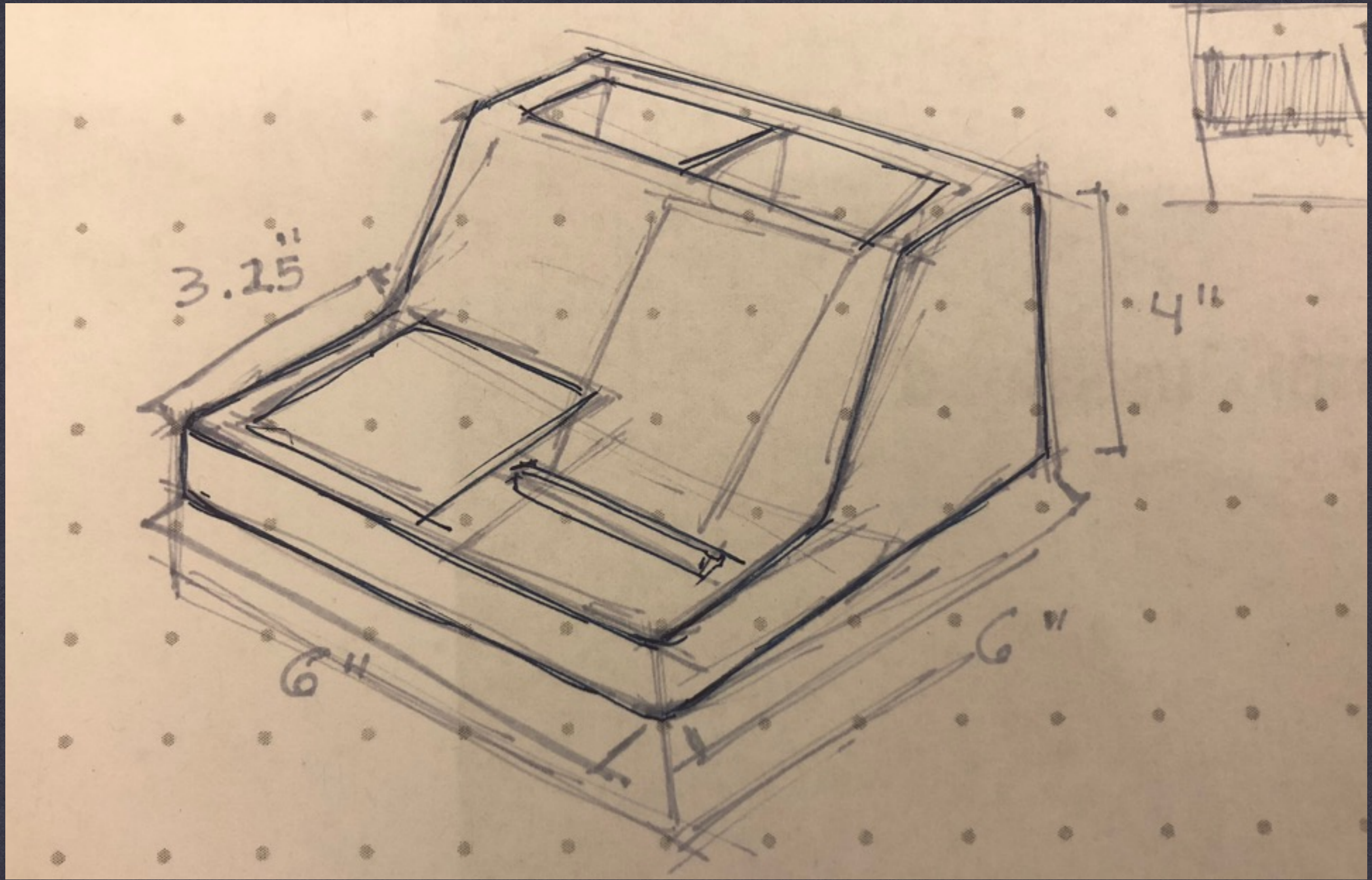






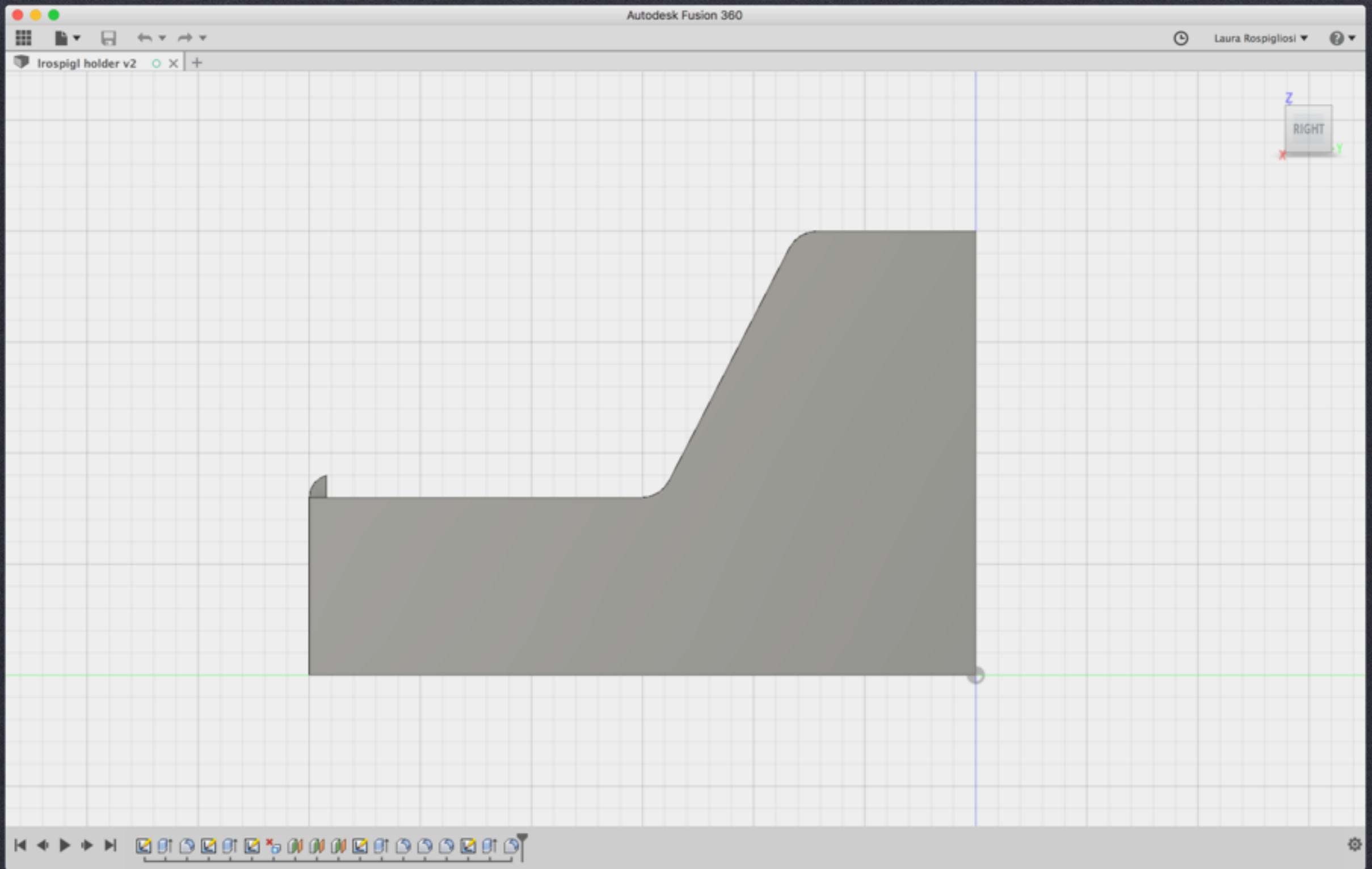
ORTHOGRAPHIC SKETCHES

HODLER



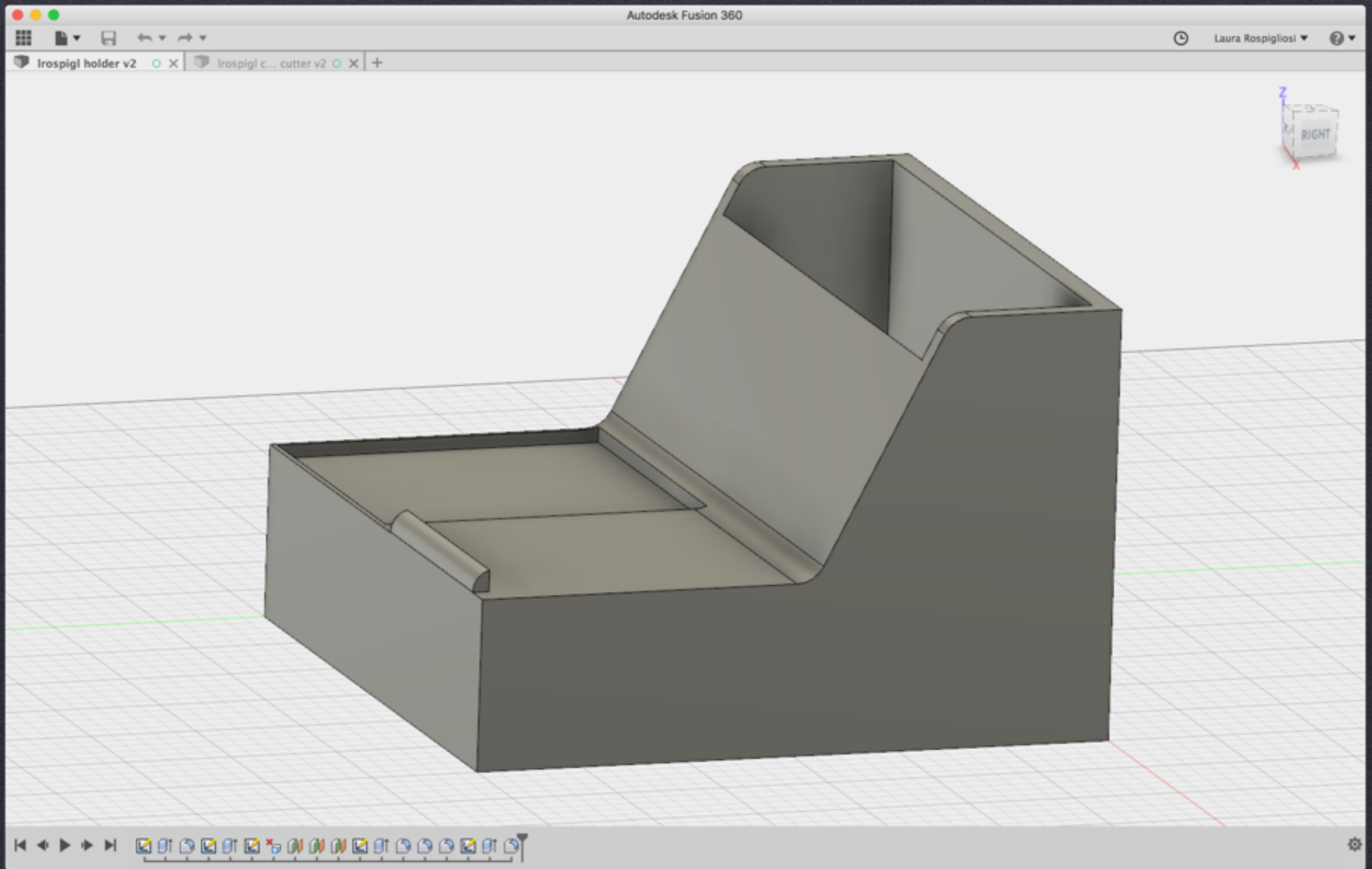
2-POINT VIEW SKETCH

HOLDER



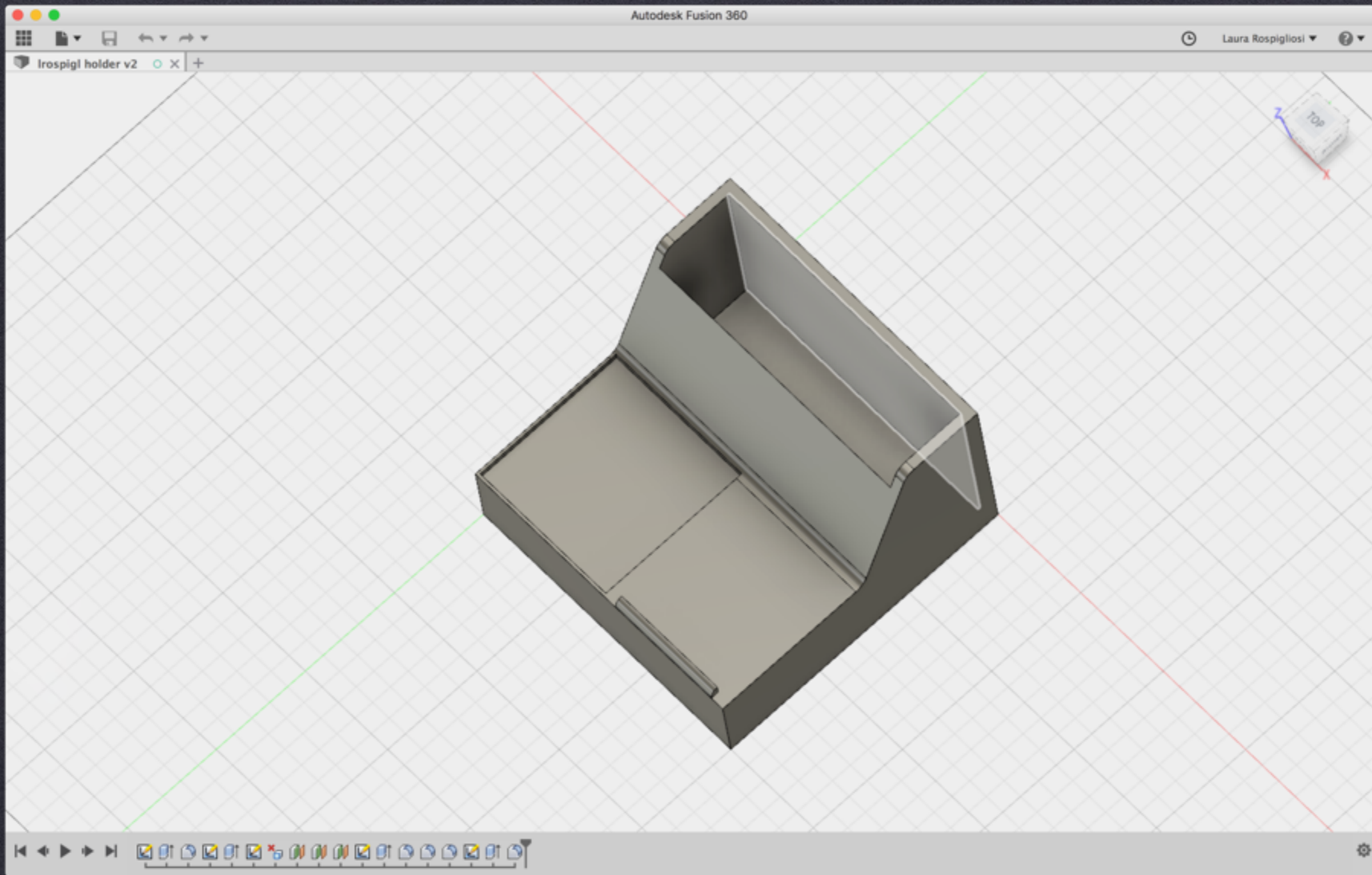
FUSION MODEL

HODLER



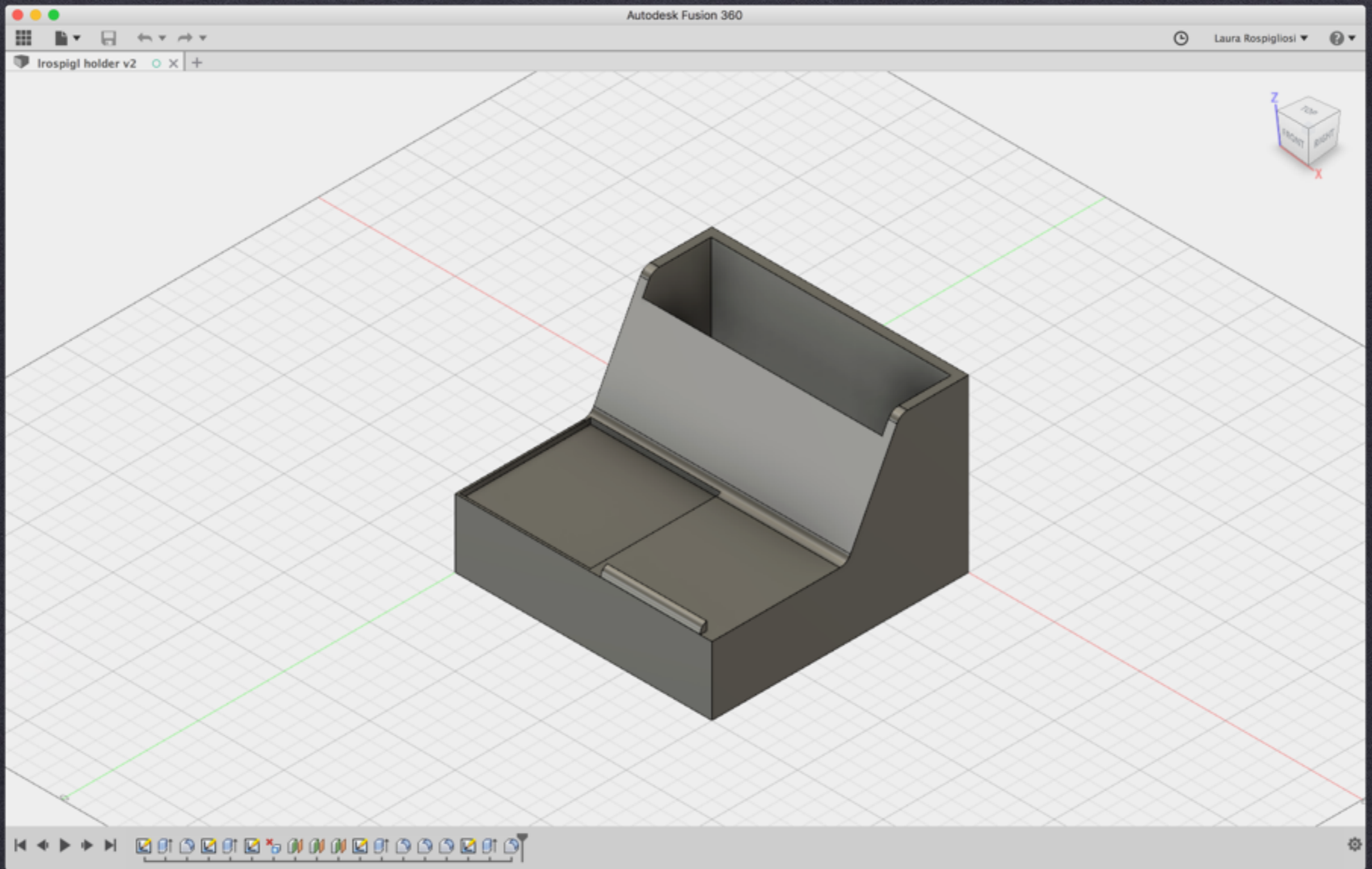
FUSION MODEL

HOLDER



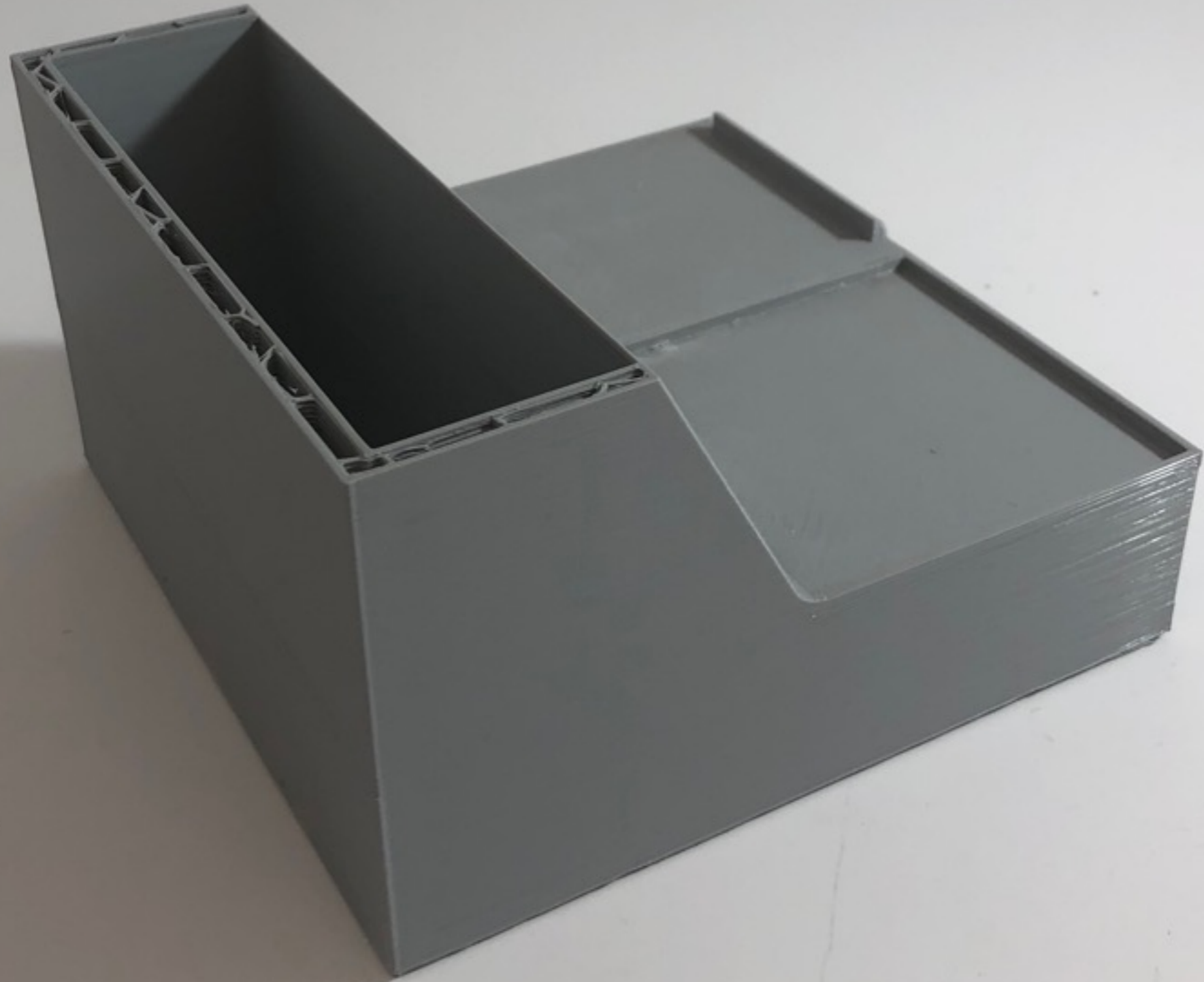
FUSION MODEL

HOLDER



FUSION MODEL

HOLDER



3D PRINT

HOLDER



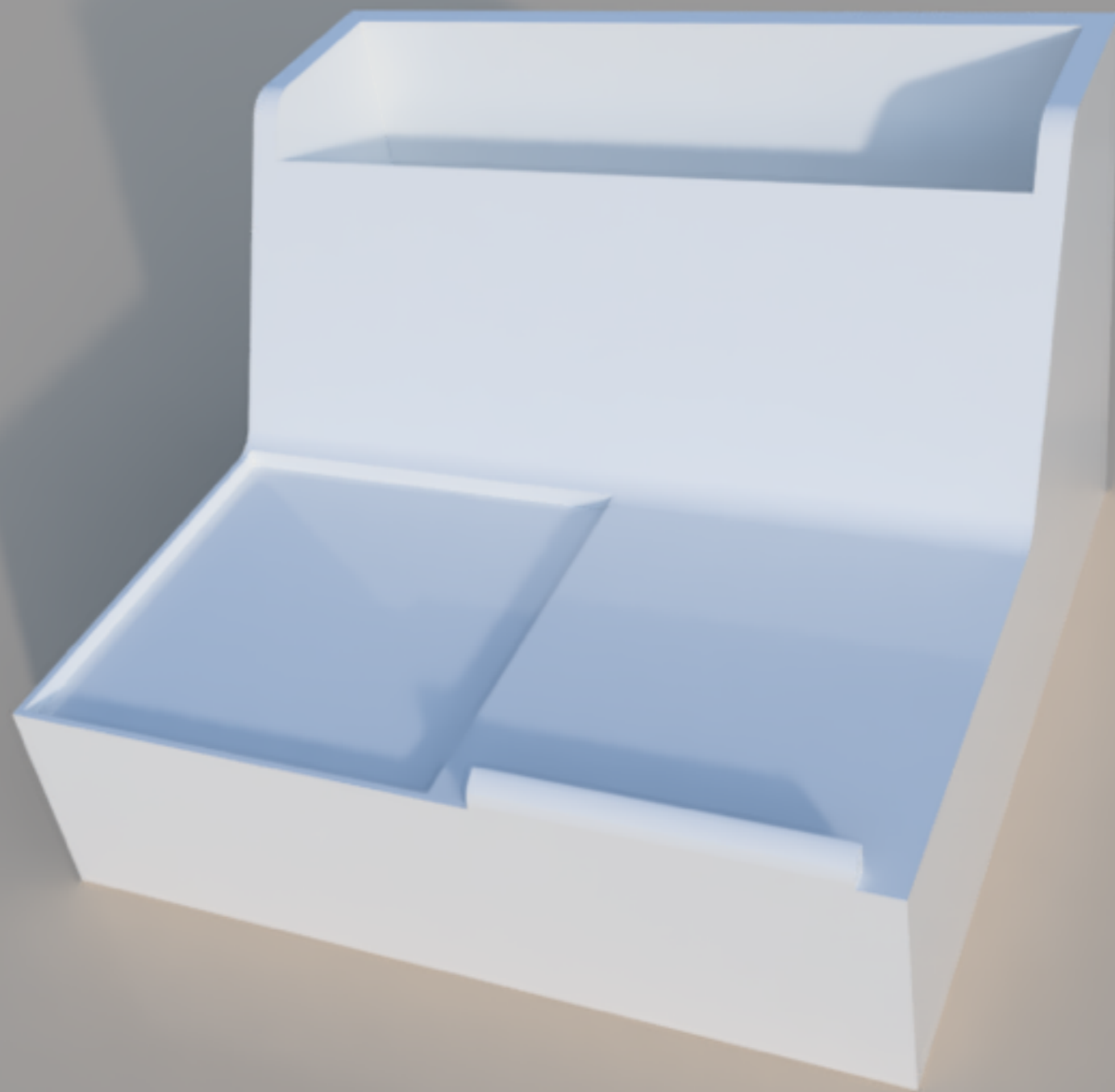
3D PRINT

HOLDER



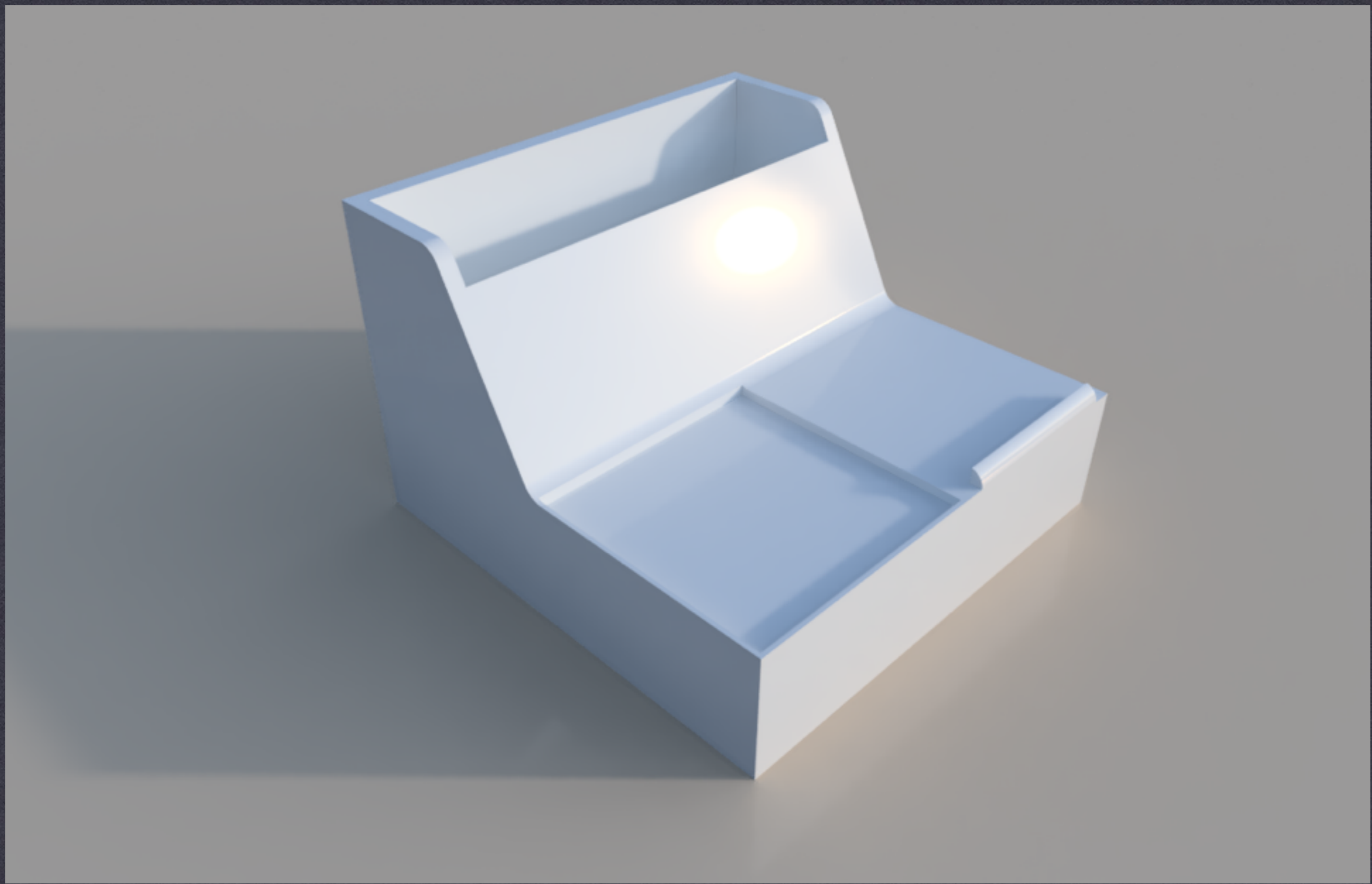
3D PRINT WITH MARKERS AND POST-IT

HOLDER BEFORE PAINT AND ACRYLIC



FUSION MODEL

HOLDER



FUSION MODEL

HOLDER



3D PRINT WITH MARKERS AND POST-IT

HOLDER



3D PRINT WITH MARKERS AND POST-IT

HOLDER